

AQUA



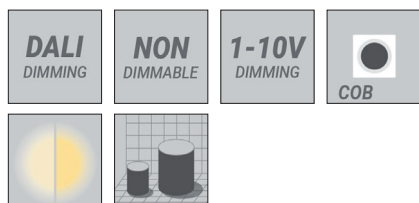
Modern underwater narrow projector and floodlight family. Your high power, professional flexible recessed pool and water-feature solution.

Luminaire Structure

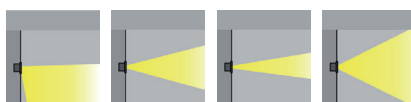
- Stainless steel grade body and fasteners in grade 316
- Cable entry PG-7 for AQUA 1 and PG-11 for AQUA 2 and AQUA 3. Cable gland supplied with 2m, 2x1.0 sqmm. of outdoor submersible power cable.
- Durable silicone rubber gasket
- Clear toughened glass
- Recessing box in PVC is included
- Remote driver required to be installed by others.
- Maximum depth 2 meters.
- The luminaire must be submerged when operational
- Accessory must be ordered separately
- Remote driver is included.
- Remote IP gear box is not included.
- Constant current



Feature Symbols



Light Symbols



Product colors



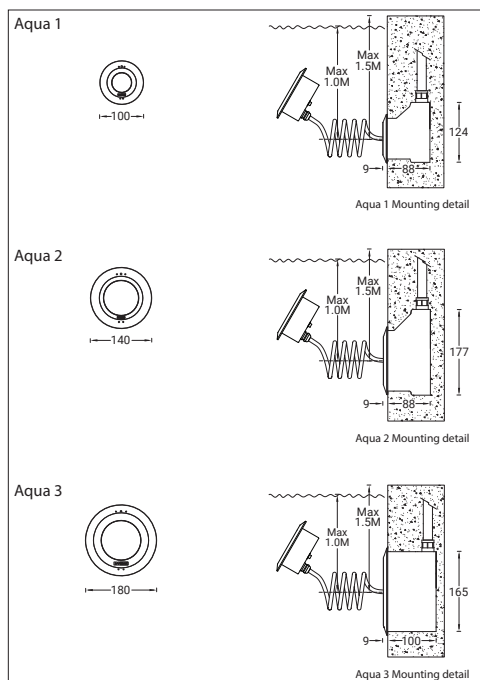
AQUA

Technical information

	Model No.	Lamp	Power	Lumen	Optic				CCT	Dimming type	Efficacy	EEC	CRI	Weight
					N	M	W	AS						
With recessing box / remote driver - Without remote IP box - Constant current (CC) 350mA, 36V														
AQUA 1	AQ-60001	1 COB	14 W	1255 lm	25°	33°	50°	-	3000K, 4000K	1-10V, DALI, On/Off	84 - 102 lm/W	A++	Ra > 80	1.1 kg
With recessing box / remote driver - Without remote IP box - Constant current (CC) 500mA, 36V														
AQUA 2	AQ-60011	1 COB	20 W	1816 lm	24°	39°	54°	-	3000K, 4000K	1-10V, DALI, On/Off	86 - 93 lm/W	A++	Ra > 80	2.2 kg
With recessing box / remote driver - Without remote IP box - Constant current (CC) 700mA, 36V														
AQUA 3	AQ-60021	1 COB	27 W	2918 lm	22°	35°	52°	46°x56°	3000K, 4000K	1-10V, DALI, On/Off	81 - 109 lm/W	A++	Ra > 80	3.8 kg

Accessories

	Remote box IP65 A61551	Connector IP68 A62591	Remote box IP65 A80191
AQ-60001		•	•
AQ-60011	•	•	
AQ-60021	•	•	



Format Reference	Format Name
AQ-60001-N-W40-DA	AQUA 1 - AQ-60001 - 1 COB - 14 W - 25° - 4000K - DALI - Stainless Steel

We reserve the right to make technical and design changes.

Edition: 10-05-2019

www.ligman.com/AQUA-AQ-UN3

LIGMAN EUROPE S.R.O.
 VGP Park Ústí nad Labem, P 2
 Přestanov 113
 403 17 Přestanov
 Czech Republic
 Tel. +420 608 740 504
 sales.cz@ligman.com

LIGMAN ASIA PACIFIC
 2300 Rama Rd
 Suan Luang
 Suan Luang, Bangkok
 10250, Thailand
 Tel. +662 321 8211
 info@ligman.com

AQUA

AQ-60001-N-W30-DA	AQUA 1 - AQ-60001 - 1 COB - 14 W - 25° - 3000K - DALI - Stainless Steel
AQ-60001-N-W40-DI	AQUA 1 - AQ-60001 - 1 COB - 14 W - 25° - 4000K - 1-10V - Stainless Steel
AQ-60001-N-W30-DI	AQUA 1 - AQ-60001 - 1 COB - 14 W - 25° - 3000K - 1-10V - Stainless Steel
AQ-60001-N-W40-ND	AQUA 1 - AQ-60001 - 1 COB - 14 W - 25° - 4000K - On/Off - Stainless Steel
AQ-60001-N-W30-ND	AQUA 1 - AQ-60001 - 1 COB - 14 W - 25° - 3000K - On/Off - Stainless Steel
AQ-60001-M-W30-DA	AQUA 1 - AQ-60001 - 1 COB - 14 W - 33° - 3000K - DALI - Stainless Steel
AQ-60001-M-W40-DA	AQUA 1 - AQ-60001 - 1 COB - 14 W - 33° - 4000K - DALI - Stainless Steel
AQ-60001-M-W30-DI	AQUA 1 - AQ-60001 - 1 COB - 14 W - 33° - 3000K - 1-10V - Stainless Steel
AQ-60001-M-W40-DI	AQUA 1 - AQ-60001 - 1 COB - 14 W - 33° - 4000K - 1-10V - Stainless Steel
AQ-60001-M-W30-ND	AQUA 1 - AQ-60001 - 1 COB - 14 W - 33° - 3000K - On/Off - Stainless Steel
AQ-60001-M-W40-ND	AQUA 1 - AQ-60001 - 1 COB - 14 W - 33° - 4000K - On/Off - Stainless Steel
AQ-60001-W-W40-DA	AQUA 1 - AQ-60001 - 1 COB - 14 W - 50° - 4000K - DALI - Stainless Steel
AQ-60001-W-W30-DA	AQUA 1 - AQ-60001 - 1 COB - 14 W - 50° - 3000K - DALI - Stainless Steel
AQ-60001-W-W40-DI	AQUA 1 - AQ-60001 - 1 COB - 14 W - 50° - 4000K - 1-10V - Stainless Steel
AQ-60001-W-W30-DI	AQUA 1 - AQ-60001 - 1 COB - 14 W - 50° - 3000K - 1-10V - Stainless Steel
AQ-60001-W-W40-ND	AQUA 1 - AQ-60001 - 1 COB - 14 W - 50° - 4000K - On/Off - Stainless Steel
AQ-60001-W-W30-ND	AQUA 1 - AQ-60001 - 1 COB - 14 W - 50° - 3000K - On/Off - Stainless Steel
AQ-60011-N-W30-DA	AQUA 2 - AQ-60011 - 1 COB - 20 W - 24° - 3000K - DALI - Stainless Steel
AQ-60011-N-W40-DA	AQUA 2 - AQ-60011 - 1 COB - 20 W - 24° - 4000K - DALI - Stainless Steel
AQ-60011-N-W30-DI	AQUA 2 - AQ-60011 - 1 COB - 20 W - 24° - 3000K - 1-10V - Stainless Steel
AQ-60011-N-W40-DI	AQUA 2 - AQ-60011 - 1 COB - 20 W - 24° - 4000K - 1-10V - Stainless Steel
AQ-60011-N-W30-ND	AQUA 2 - AQ-60011 - 1 COB - 20 W - 24° - 3000K - On/Off - Stainless Steel
AQ-60011-N-W40-ND	AQUA 2 - AQ-60011 - 1 COB - 20 W - 24° - 4000K - On/Off - Stainless Steel
AQ-60011-M-W40-DA	AQUA 2 - AQ-60011 - 1 COB - 20 W - 39° - 4000K - DALI - Stainless Steel
AQ-60011-M-W30-DA	AQUA 2 - AQ-60011 - 1 COB - 20 W - 39° - 3000K - DALI - Stainless Steel
AQ-60011-M-W40-DI	AQUA 2 - AQ-60011 - 1 COB - 20 W - 39° - 4000K - 1-10V - Stainless Steel
AQ-60011-M-W30-DI	AQUA 2 - AQ-60011 - 1 COB - 20 W - 39° - 3000K - 1-10V - Stainless Steel
AQ-60011-M-W40-ND	AQUA 2 - AQ-60011 - 1 COB - 20 W - 39° - 4000K - On/Off - Stainless Steel
AQ-60011-M-W30-ND	AQUA 2 - AQ-60011 - 1 COB - 20 W - 39° - 3000K - On/Off - Stainless Steel
AQ-60011-W-W40-DA	AQUA 2 - AQ-60011 - 1 COB - 20 W - 54° - 4000K - DALI - Stainless Steel
AQ-60011-W-W30-DA	AQUA 2 - AQ-60011 - 1 COB - 20 W - 54° - 3000K - DALI - Stainless Steel
AQ-60011-W-W40-DI	AQUA 2 - AQ-60011 - 1 COB - 20 W - 54° - 4000K - 1-10V - Stainless Steel
AQ-60011-W-W30-DI	AQUA 2 - AQ-60011 - 1 COB - 20 W - 54° - 3000K - 1-10V - Stainless Steel
AQ-60011-W-W40-ND	AQUA 2 - AQ-60011 - 1 COB - 20 W - 54° - 4000K - On/Off - Stainless Steel
AQ-60011-W-W30-ND	AQUA 2 - AQ-60011 - 1 COB - 20 W - 54° - 3000K - On/Off - Stainless Steel
AQ-60021-N-W30-DA	AQUA 3 - AQ-60021 - 1 COB - 27 W - 22° - 3000K - DALI - Stainless Steel
AQ-60021-N-W40-DA	AQUA 3 - AQ-60021 - 1 COB - 27 W - 22° - 4000K - DALI - Stainless Steel
AQ-60021-N-W30-DI	AQUA 3 - AQ-60021 - 1 COB - 27 W - 22° - 3000K - 1-10V - Stainless Steel
AQ-60021-N-W40-DI	AQUA 3 - AQ-60021 - 1 COB - 27 W - 22° - 4000K - 1-10V - Stainless Steel
AQ-60021-N-W30-ND	AQUA 3 - AQ-60021 - 1 COB - 27 W - 22° - 3000K - On/Off - Stainless Steel
AQ-60021-N-W40-ND	AQUA 3 - AQ-60021 - 1 COB - 27 W - 22° - 4000K - On/Off - Stainless Steel
AQ-60021-M-W40-DA	AQUA 3 - AQ-60021 - 1 COB - 27 W - 35° - 4000K - DALI - Stainless Steel
AQ-60021-M-W30-DA	AQUA 3 - AQ-60021 - 1 COB - 27 W - 35° - 3000K - DALI - Stainless Steel
AQ-60021-M-W40-DI	AQUA 3 - AQ-60021 - 1 COB - 27 W - 35° - 4000K - 1-10V - Stainless Steel
AQ-60021-M-W30-DI	AQUA 3 - AQ-60021 - 1 COB - 27 W - 35° - 3000K - 1-10V - Stainless Steel
AQ-60021-M-W40-ND	AQUA 3 - AQ-60021 - 1 COB - 27 W - 35° - 4000K - On/Off - Stainless Steel
AQ-60021-M-W30-ND	AQUA 3 - AQ-60021 - 1 COB - 27 W - 35° - 3000K - On/Off - Stainless Steel
AQ-60021-W-W40-DA	AQUA 3 - AQ-60021 - 1 COB - 27 W - 52° - 4000K - DALI - Stainless Steel
AQ-60021-W-W30-DA	AQUA 3 - AQ-60021 - 1 COB - 27 W - 52° - 3000K - DALI - Stainless Steel
AQ-60021-W-W40-DI	AQUA 3 - AQ-60021 - 1 COB - 27 W - 52° - 4000K - 1-10V - Stainless Steel
AQ-60021-W-W30-DI	AQUA 3 - AQ-60021 - 1 COB - 27 W - 52° - 3000K - 1-10V - Stainless Steel
AQ-60021-W-W40-ND	AQUA 3 - AQ-60021 - 1 COB - 27 W - 52° - 4000K - On/Off - Stainless Steel
AQ-60021-W-W30-ND	AQUA 3 - AQ-60021 - 1 COB - 27 W - 52° - 3000K - On/Off - Stainless Steel
AQ-60021-AS-W40-DA	AQUA 3 - AQ-60021 - 1 COB - 27 W - 46°x56° - 4000K - DALI - Stainless Steel
AQ-60021-AS-W30-DA	AQUA 3 - AQ-60021 - 1 COB - 27 W - 46°x56° - 3000K - DALI - Stainless Steel
AQ-60021-AS-W40-DI	AQUA 3 - AQ-60021 - 1 COB - 27 W - 46°x56° - 4000K - 1-10V - Stainless Steel
AQ-60021-AS-W30-DI	AQUA 3 - AQ-60021 - 1 COB - 27 W - 46°x56° - 3000K - 1-10V - Stainless Steel
AQ-60021-AS-W40-ND	AQUA 3 - AQ-60021 - 1 COB - 27 W - 46°x56° - 4000K - On/Off - Stainless Steel
AQ-60021-AS-W30-ND	AQUA 3 - AQ-60021 - 1 COB - 27 W - 46°x56° - 3000K - On/Off - Stainless Steel